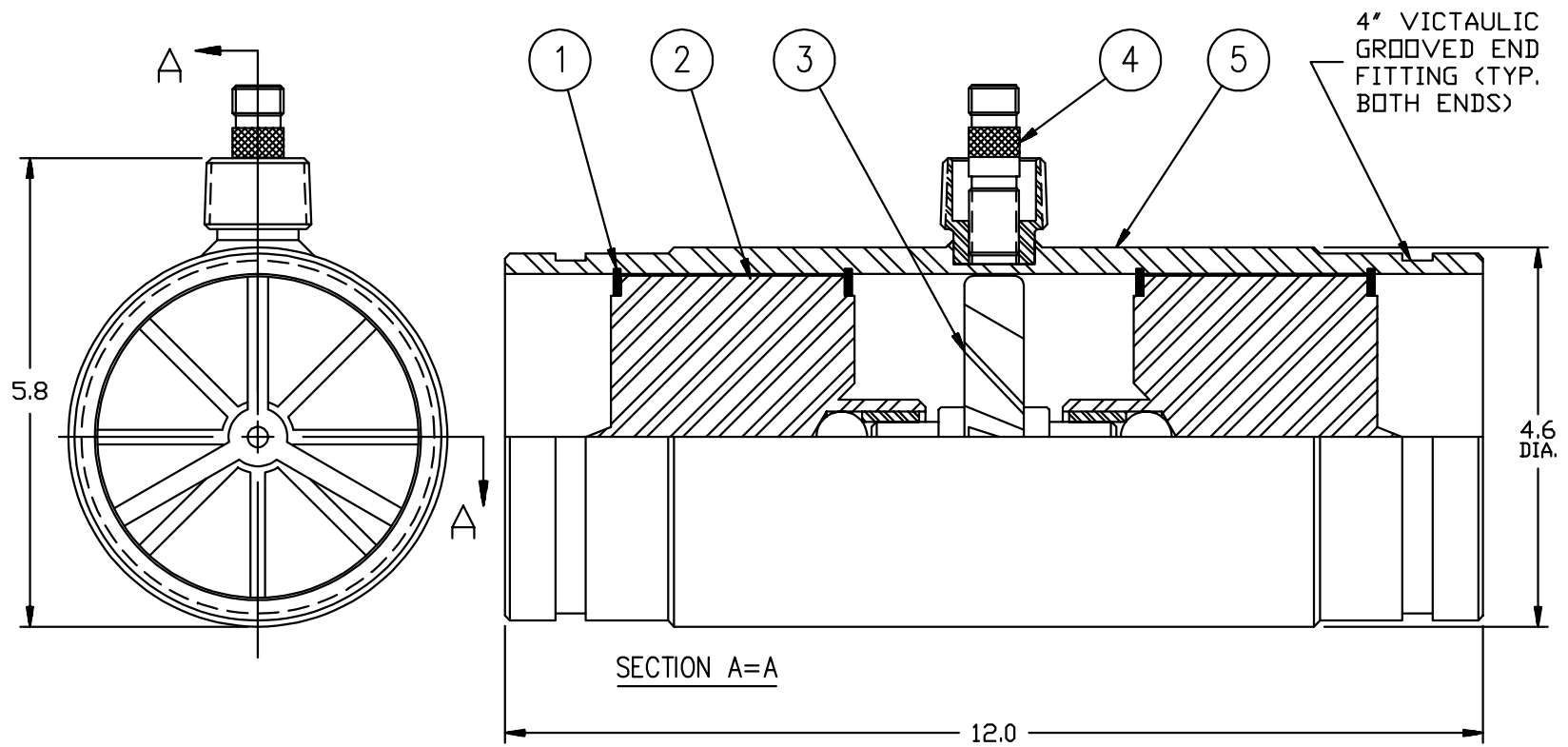



# 1140 TURBINE METER



**SPECIFICATIONS:**  
 FLOW RATE: 100 - 1200 GPM  
 PRESSURE RATING: 800 psi  
 TEMPERATURE RATING: -150 to +350°F  
 WEIGHT: 18 LBS

ITEM	QTY.	DESCRIPTION
1	4	RETAINING RING
2	2	ROTOR SUPPORT ASSEMBLY
3	1	ROTOR ASSEMBLY
4	1	MAG PICK-UP ASSEMBLY
5	1	METER BODY

PURCHASED PART DRAWING  <small>THIS PRINT, INCLUDING THE INFORMATION CONTAINED IN IT, IS THE PROPERTY OF AW COMPANY. IT IS CONSIDERED PROPRIETARY IN NATURE AND MAY NOT BE USED OR DISCLOSED OUTSIDE OF AW COMPANY, EXCEPT UNDER PRIOR WRITTEN AGREEMENT. ANY MODIFICATIONS MADE TO OR COMMENTS WRITTEN ON THIS DRAWING BY UNAUTHORIZED PERSONNEL WILL VOID THIS DRAWING. ALL DIMENSIONS SHOWN ARE SUBJECT TO CHANGE WITHOUT NOTICE.</small>			<b>AW COMPANY</b> 8809 INDUSTRIAL DRIVE FRANKSVILLE, WI 53126 TEL. # (262) 884-9800 FAX. # (262) 884-9810
	TITLE: 1140 TURBINE - 4" TURBINE - 4" GROOVED ENDS		
	DRAWING NUMBER: TR40800A	PART NUMBER: -	
	DATE: 09-19-01	REV: A	DRAWN BY: SHANE WILSON
	CHECKED BY: S.W.	PAGE 1 OF 1	SCALE: NONE