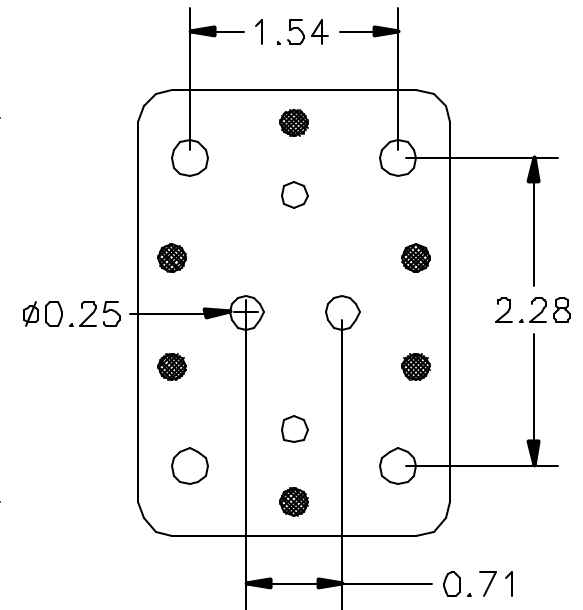
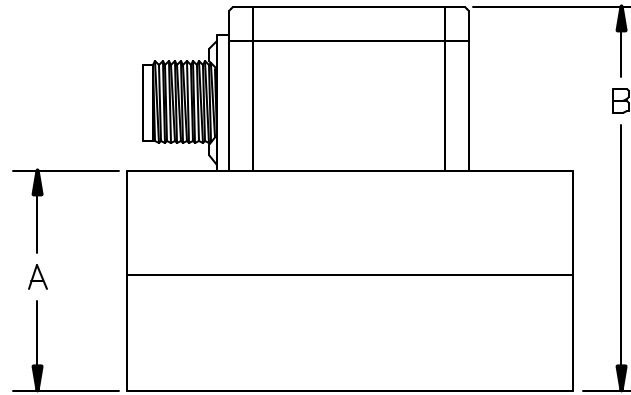
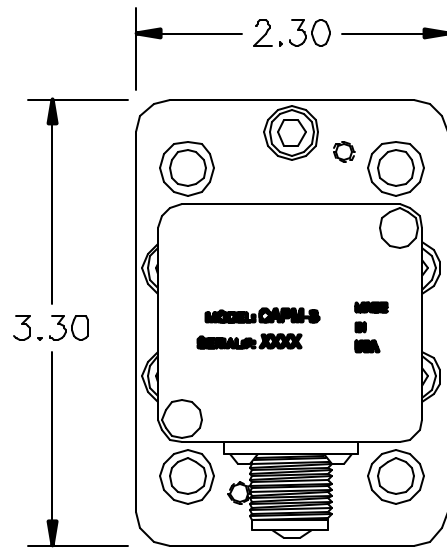


JVS - xxSLGF



	JVS-15SLGF	JVS-20SLGF
A	1.41	1.63
B	2.61	2.83

REV.	DESCRIPTION OF CHANGE	DATE	BY
C	CHANGED NAME TO JVS AND ADDED LETTER F TO END OF SLG	03/18/02	SW
B	CHANGED NAME TO SLG	02/21/02	CH

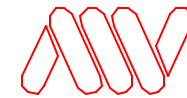
TOLERANCES UNLESS NOTED

ENGLISH

FRAC. $\pm 1/64$
 ANG. $\pm 1/2^\circ$
 .XX ± 0.005 ✓ 64 MAX.

PURCHASED PART DRAWING

THIS PRINT, INCLUDING THE INFORMATION CONTAINED IN IT, IS THE PROPERTY OF AW COMPANY. IT IS CONSIDERED PROPRIETARY IN NATURE AND MAY NOT BE USED OR DISCLOSED OUTSIDE OF AW COMPANY, EXCEPT UNDER PROOF WRITTEN AGREEMENT. ANY MODIFICATIONS MADE TO OR COMMENTS WRITTEN ON THIS DRAWING BY UNAUTHORIZED PERSONNEL WILL VOID THIS DRAWING. ALL DIMENSIONS SHOWN ARE SUBJECT TO CHANGE WITHOUT NOTICE.



AW COMPANY
 8809 INDUSTRIAL DRIVE
 FRANKSVILLE, WI 53126
 TEL # (262) 884-9800
 FAX # (262) 884-9810

TITLE: JVS-15/-20SLGF DIMENSIONS			
DRAWING NUMBER: JV2F500C		PART NUMBER: --	
DATE: 03-18-02	REV: C	DRAWN BY: CHRIS HUSSON	
CHECKED BY: C.H.	PAGE 1 OF 1	SCALE: NONE	